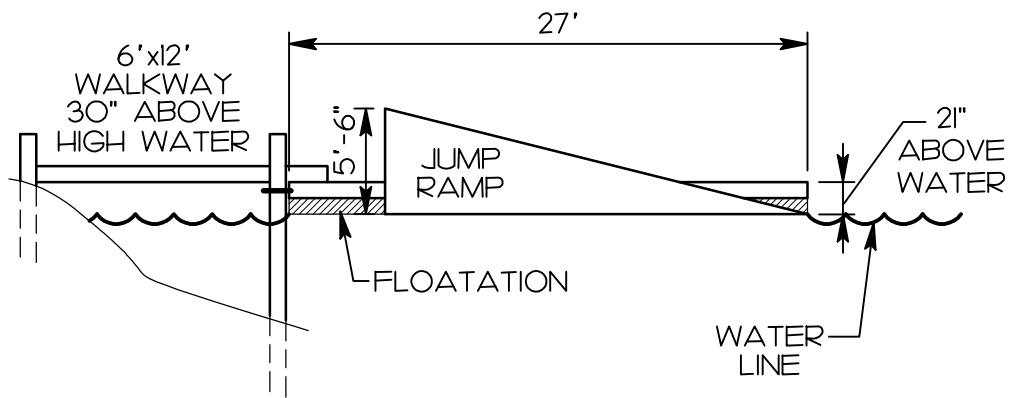


LAYOUT



SECTION

PERFORMANCE PLATFORM TEGA CAY, SOUTH CAROLINA FOR THE CITY OF TEGA CAY		
SCALE: 1" = 100'	SHEET TITLE PROPOSED PLATFORM AND JUMP RAMP	SHEET
DATE: 05/05/11		4 OF 4